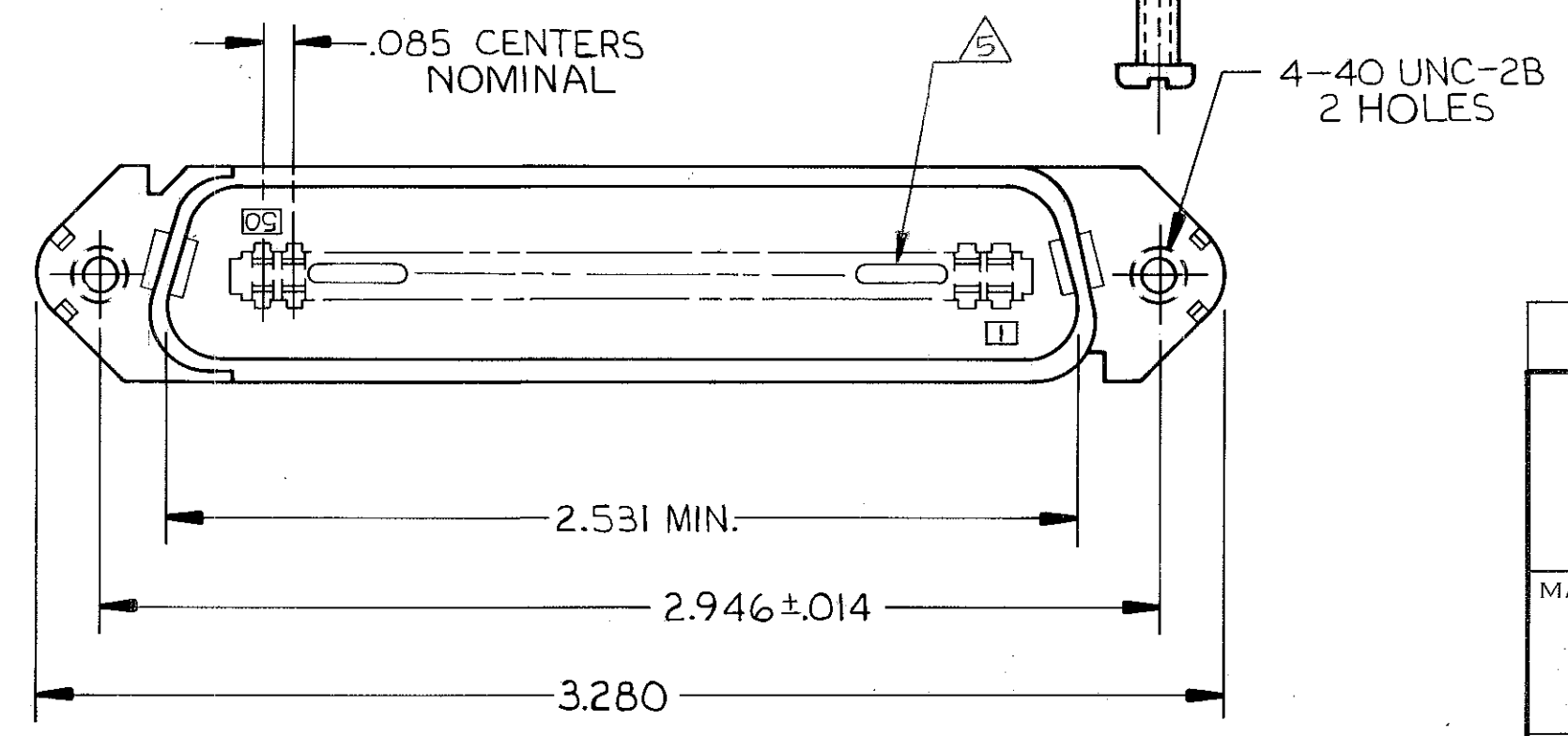
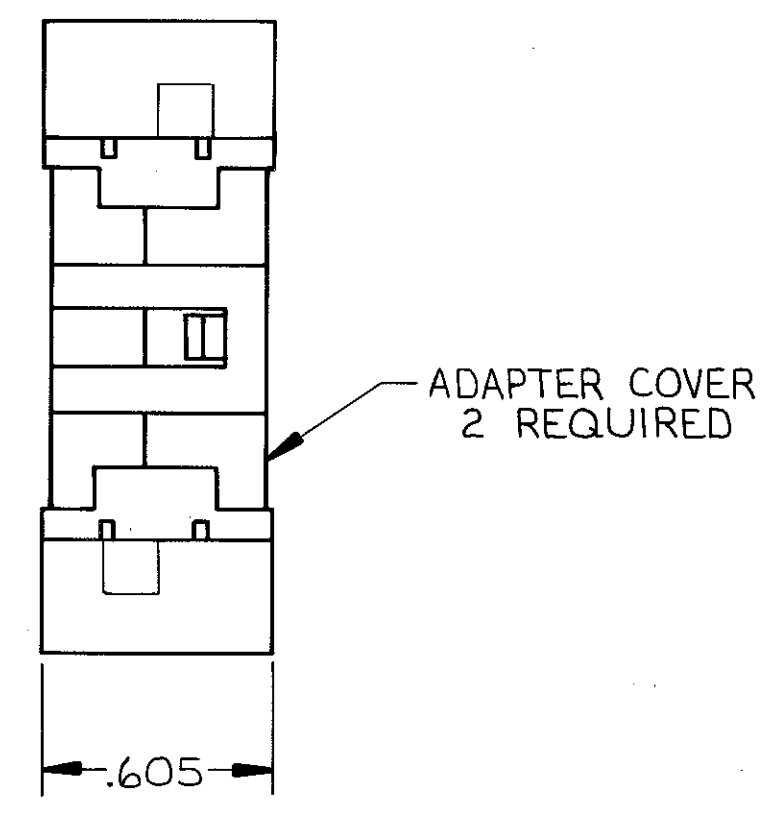
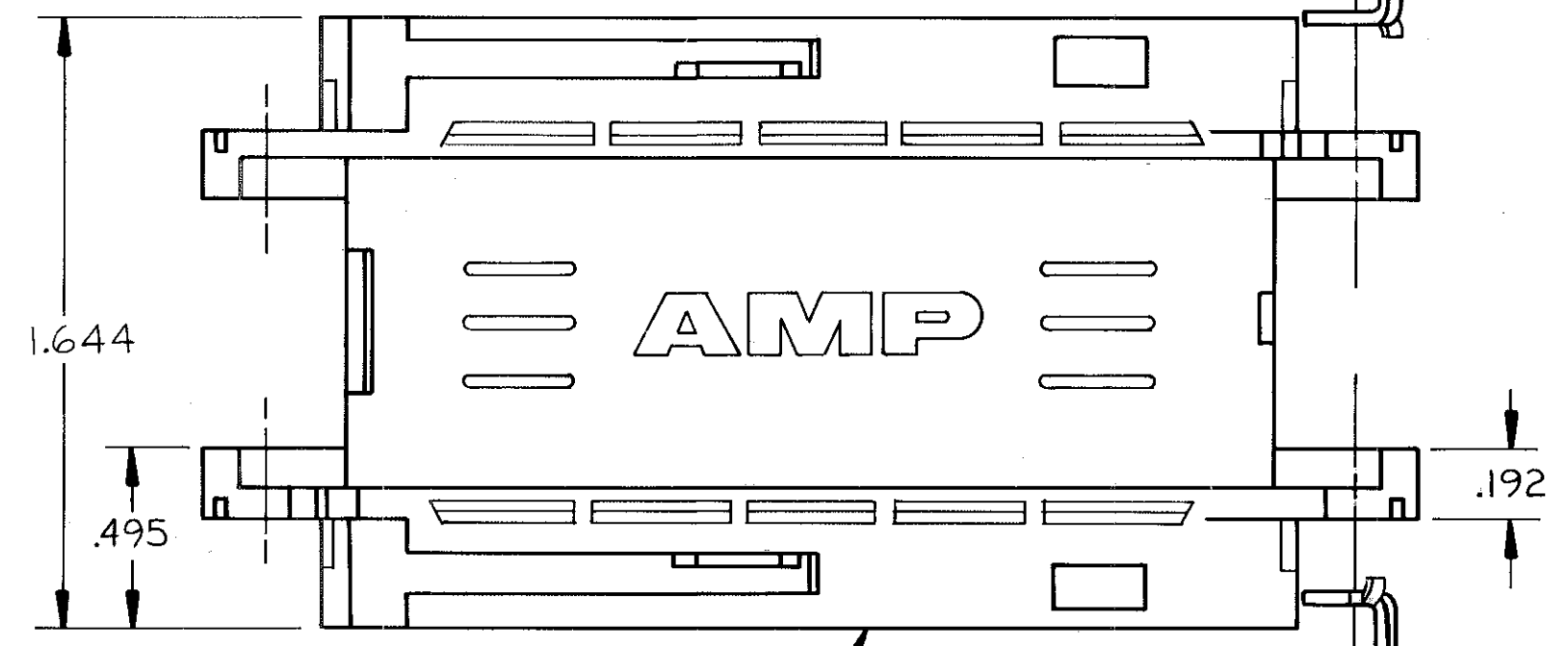
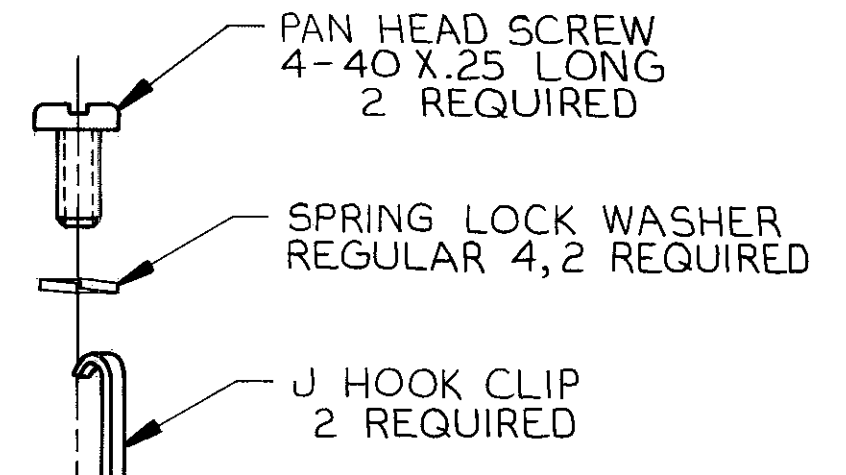
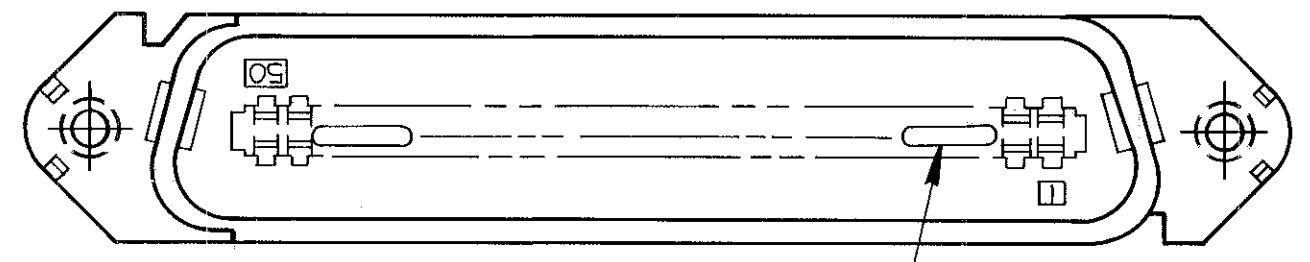


THIS DRAWING IS UNPUBLISHED. RELEASED FOR PUBLICATION
 © COPYRIGHT 19 BY AMP INCORPORATED, HARRISBURG, PA. ALL INTERNATIONAL RIGHTS RESERVED. AMP PRODUCTS MAY BE COVERED BY U.S. AND FOREIGN PATENTS AND/OR PATENTS PENDING.

REVISIONS						
P	F	ZONE	LTR	DESCRIPTION	DATE	APPROVED
				G REV; EC OUIK-0040-01	3-19-01	DD EB

1. LIKE NUMBERED CONTACTS ON BOTH CONNECTORS ARE ELECTRICALLY COMMON.
 2. THE CONTACT SURFACES OF THE TERMINALS ARE COATED WITH LUBRICANT.
 3. MATERIAL: HOUSINGS & COVERS - POLYPHENYLENE, BLACK.
TERMINALS - GOLD OVER NICKEL PLATED HIGH STRENGTH COPPER ALLOY.
HARDWARE - ZINC PLATED STEEL.
 4. ALL DIMENSIONS SHOWN ARE MAXIMUM UNLESS OTHERWISE SPECIFIED.
5. CORING MAY OR MAY NOT APPEAR AND IS AT THE DISCRETION OF AMP INCORPORATED.



PACKAGING	DESCRIPTION	PART NO
ONE KIT PER POLY BAG	WITHOUT J HOOK & HARDWARE	554876-2
	WITH J HOOK & HARDWARE	554876-1

UNLESS OTHERWISE SPECIFIED DIMENSIONS ARE IN INCHES. TOLERANCES ON: DECIMALS ± ANGLES ±	CONTRACT NO		AMP AMP INCORPORATED Harrisburg, Pa. 17105	
	DR <i>M. D. Beyerly</i> 9/26/85			
	CHK <i>B. Gandy</i> 9/27/85		NAME PLUG KIT, GENDER MENDER, 50 POSITION, W/J HOOK HARDWARE, CHAMP-LOK	
	MATERIAL		APPD <i>B. Hutchens</i> 10/1/85	
FINISH		APPD <i>W. Kilpatrick</i> 10/1/85		
		OSGN APPD	SIZE C	FSCM NO 00779
		OTHER APPD	DRAWING NO 554876	
			SCALE 2:1	SHEET 1 OF 1

CUSTOMER DRAWING

WAS 1210-85-29-1

554876